

Loudspeakers

# Up 4S

Two-way passive, full-range, low profile 4" ceiling speaker



Optimal Audio



## FEATURES

- 4" Coaxial driver
- Discreet size with shallow back can
- Unobtrusive Design
- 8 ohm or 70/100V line operation
- Range of power taps
- Wide Conical Coverage Pattern
- Integrated Mounting Hardware

Up 4S is a discreet, two-way, passive 4" speaker delivering consistent coverage and full frequency sound to a wide range of cost conscious, commercial environments — from hotels and concourses to retail outlets, bars and restaurants.

Up 4S features a 4" (105mm) low frequency driver paired with a 0.7" (20mm) silk dome tweeter. It is suitable for both high quality speech and music reproduction.

The wide 150° conical coverage of Up 4S makes it particularly suitable for low ceilings and reduces the number of speakers required for even coverage leading to a reduction in installation

cost. A shallow steel back can allows installation in ceilings with minimal cavity depth. An integral fixing system is included to achieve a simple and clean installation. Up 4S has a steel back, perforated steel grille and finished in neutral white.

Each Up 4S can be run on a variety of 100 or 70 volt taps, or at low impedance. Tap selection is via a rotary switch behind the removable grille.

SmartAmps or Zone will provide optimal performance and loudspeaker protection. When coupled with the Zone series, a ZonePad and the WebApp makes setting up a system and end user control simple and intuitive.

## APPLICATIONS



Cafes



Bars/  
Restaurants



Retail



Wedding  
Venues



Hotels



Education  
Facilities



Houses of  
Worship



Corporate  
Offices



Museums



Fitness Studios



Residential



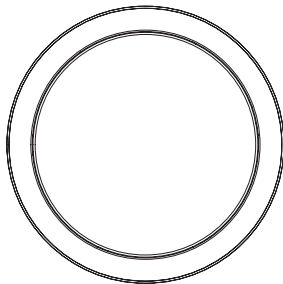
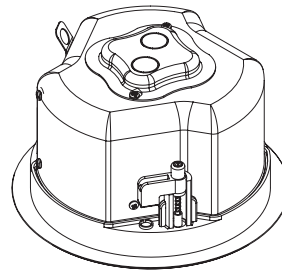
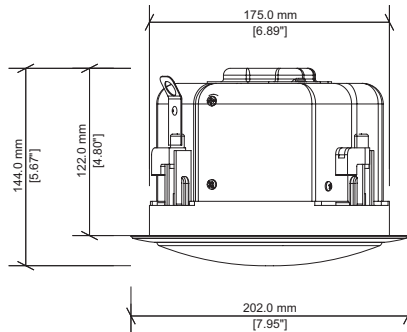
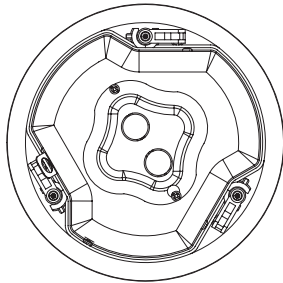
Loudspeakers

# Up 4S

Two-way passive, full-range, low profile 4" ceiling speaker



Optimal Audio



## SPECIFICATIONS

TYPE	: Two-way, full range, passive, ceiling speaker
FREQUENCY RESPONSE (with preset)	: 110Hz - 18kHz $\pm$ 3dB -10dB @ 85Hz
DRIVERS	: LF: 4" (105mm), Polypropylene injection moulded HF: 1 (25mm) exit/0.7 (20mm) voice coil, Silk Dome
RATED POWER (AES)	: 15W
NOMINAL IMPEDANCE	: 8 Ohms
SENSITIVITY (1W/1m)	: 86dB
MAXIMUM SPL	: 98dB (cont), 101dB (peak)
CROSSOVER	: 3.5kHz passive
RECOMMENDED HIGH-PASS FILTER	: 24dB/octave @ 85Hz
TRANSFORMER TAPS @ 70V	: 8,4,2,1,0.5W
TRANSFORMER TAPS @ 100V	: 8,4,2,1W
DISPERSION (-6dB)	: 150° conical
BACK CAN	: Zinc-plated Steel
BAFFLE	: ABS
PROTECTIVE GRILLE	: Perforated steel
FIRE RATING	: UL94-V0 UL94-5VB
CONNECTORS	: Lockable with link through
FITTINGS	: C-ring support backing plate
DIMENSIONS	: (W) 202mm x (H) 128mm x (D) 202mm (W) 7.95" x (H) 5.04" x (D) 7.95"
WEIGHT	: 2.2kg (4.9lbs)
INCLUDED ACCESSORIES	: 2 tile support rails (for 2 ft or 600 mm tile spans), cutout template, paint shield, removable locking multi-pin connector
RECOMMENDED SUB	: Sub 10



Paint Finish



Weight

[optimal-audio.co.uk](https://optimal-audio.co.uk)

© 2021. Optimal Audio Group Ltd.