



Loudspeakers

Up 3

Full range, 3" ceiling speaker



Optimal Audio



FEATURES

- 3" Full Range Driver
- Discreet size
- Unobtrusive Design
- 8 ohm or 70/100V line operation
- Range of power taps
- Wide Conical Coverage Pattern
- Integrated Mounting Hardware

Up 3 is a discreet, passive, 3" ceiling speaker delivering consistent coverage and crisp, clear sound to a wide range of cost conscious, commercial environments — from hotels and concourses to retail outlets, bars and restaurants.

An integral fixing system is included to achieve a simple and clean installation. Up 3 has a perforated steel grille and is finished in neutral white.

It features a 3" (78mm) driver which is ideal for both background music and

speech reproduction. A conical 130° coverage pattern ensures consistent sound where it needs to go.

Each Up 3 can be run on a variety of 100 or 70 volt taps. Tap selection is via a rotary switch behind the removable grille.

SmartAmps or Zone will provide optimal performance and loudspeaker protection. When coupled with the Zone series, a ZonePad and the WebApp makes setting up a system and end user control simple and intuitive.

APPLICATIONS



Cafes



Bars/
Restaurants



Retail



Wedding
Venues



Hotels



Education
Facilities



Houses of
Worship



Corporate
Offices



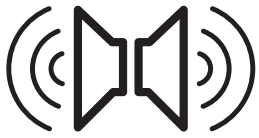
Museums



Fitness Studios



Residential



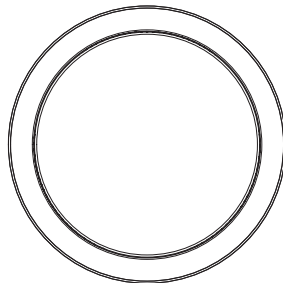
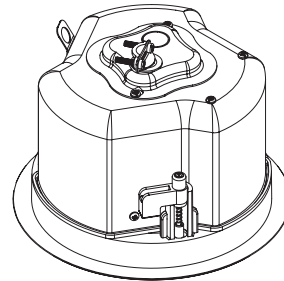
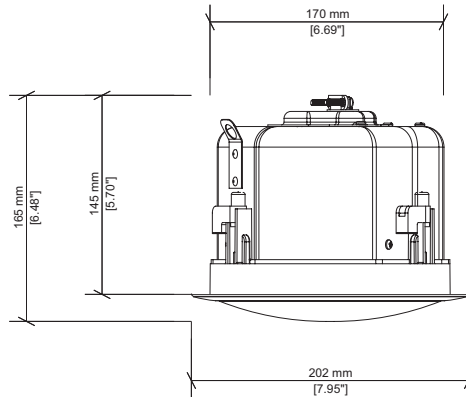
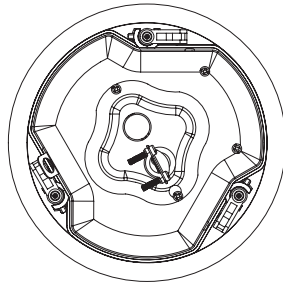
Loudspeakers

Up 3

Full range, 3" ceiling speaker



Optimal Audio



SPECIFICATIONS

TYPE	: Full range, passive, ceiling speaker
FREQUENCY RESPONSE (with preset)	: 95Hz - 15kHz \pm 3dB -10dB @68Hz
DRIVERS	: 3" (78mm), Coated paper
RATED POWER (AES)	: 20W
NOMINAL IMPEDANCE	: 8 Ohms
SENSITIVITY (1W/1m)	: 84dB
MAXIMUM SPL	: 97dB (cont), 100dB (peak)
RECOMMENDED HIGH-PASS FILTER	: 24dB/octave @ 90Hz
TRANSFORMER TAPS @ 70V	: 15, 7.5, 3.8, 1.9W
TRANSFORMER TAPS @ 100V	: 15, 7.5, 3.8W
DISPERSION (-6dB)	: 130° conical
BACK CAN	: Zinc-plated Steel
BAFFLE	: ABS
PROTECTIVE GRILLE	: Perforated steel
FIRE RATING	: UL94-V0 UL94-5VB
CONNECTORS	: Ceramic block, brass inserts
FITTINGS	: C-ring support backing plate
DIMENSIONS	: (W) 202mm x (H) 164.7mm x (D) 202mm (W) 7.95" x (H) 6.48" x (D) 7.95"
WEIGHT	: 1.6kg (3.5lbs)
INCLUDED ACCESSORIES	: 2 tile support rails (for 2 ft or 600 mm tile spans), cutout template, paint shield, removable locking multi-pin connector
RECOMMENDED SUB	: Sub 10



Paint Finish



Weight

optimal-audio.co.uk

© 2021. Optimal Audio Group Ltd.