


# FreeSpeak II 1.9GHz Beltpack

FreeSpeak II Wireless Solutions



Linking  
People  
Together



FreeSpeak II 1.9 GHz Beltpack

## Key Features and Benefits

- Typical indoor range 300ft (90m), outdoor range 800ft (240m)
- 1.9 and 2.4GHz beltpacks operate on a single system
- Up to 65 – 90 beltpacks on a single system
- “Listen Again” message replay
- Simple 2-channel partyline operation to 5-channel intercom on the same beltpack
- Over-the-air beltpack registration
- 18+ hour battery life or USB port for continuous operation
- XLR-4M headset connector
- IP-65 rating for wet and dusty conditions
- Built-in flashlight

FreeSpeak II is a high performance wireless solution operating in the 1.9 and 2.4GHz frequency bands designed for extensive communication in large-scale operations.

## Description

The FSII-BP19 is a rugged, water-resistant beltpack that operates in the ISM license-free 1.9GHz frequency range. Featuring the “Clear-Com Sound”, the FSII-BP19 has high audio bandwidth for superior intelligibility and listening comfort.

## Operation:

The FSII-BP19-X4 can connect to the FreeSpeak II base station or to Eclipse HX card frame matrices using the E-QUE-HX interface card. FSII-BP19 users can roam seamlessly between FSII-19-TCVR antennas over wide areas. The “Listen Again” feature allows users to replay earlier commands, eliminating the need to repeat communication or disturb productions.

## Increase System Size

The FSII-BP19 can be mixed with FSII-BP24 beltpacks on the same system, increasing the quantity of beltpack users in a single radio space. In the US, up to 25 1.9 GHz and 40 2.4 GHz beltpack users can operate on a single system, while the rest of the world can have up to 50 1.9 GHz and 40 2.4 GHz beltpack users in the same radio space.

## Durability

The FSII-BP19 is IP-65 rated for wet weather or dusty conditions making them ideal for outdoor productions. For better grip and protection, the beltpack has a rubberized over-mold to protect from the most rugged environments.

## Battery

Using the BAT60 Li-Ion battery, the FSII-BP19 has 18+ hours of battery life. Using an alternative set of 3 AA cells, the battery life is 6-9 hours. The beltpacks also include an USB charging port for recharging or for continuous powered transmissions.

# FreeSpeak II 1.9GHz Beltpack

FreeSpeak II Wireless Solutions

## Technical Specifications

### Audio

**Audio Bandwidth:** 200Hz-7.5KHz

**No. of Full-Duplex Audio Paths:** Up to 5 with individual level control (2 dedicated rotaries, 3 with menu), 2 controls and a main volume

**Mode of Operation:** Full duplex on all routes

**Level/Talk Controls:** 4 pushbuttons, a reply button and 2 rotary controls

**Enter/Answer-Back Button:** 1

### Radio

**Frequency Spectrum:** 1.88-1.93MHz for EU and US cellular auto roaming technology (frequency allocation varies by country)

**Modulation:** GFSK, TDMA frame 10ms Full and Long slot

**Output power:** (EU) 18-22dBm, (US) 18-20dBm

**Range:** Typical indoor range 300ft (90m), outdoor range 800ft (240m)

**Battery:** Li-Ion or 3 AA alkaline cells

**Battery Charging:** Drop-in charger (AC60) or local USB

**Battery Life:** 18+ hours with Li-Ion; 9 hours with 3 x Alkaline AA cells

**Headset Connector:** 4-pin male, Clear-Com standard, options for 5-pin female and 7-pin male with PTT

**Microphone Type:** Electret and Dynamic, selectable in beltpack menu

**Headset Limiter:** Selectable from beltpack menu

### Environmental

IP-65 water and dust resistance

**Operating:** 32°-125°F (0°-50°C)

**Storage:** 32°-150°F (0°-70°C)

**Humidity:** Between 20% and 90%, Non-Condensing

### Dimensions

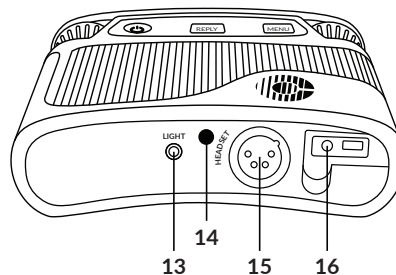
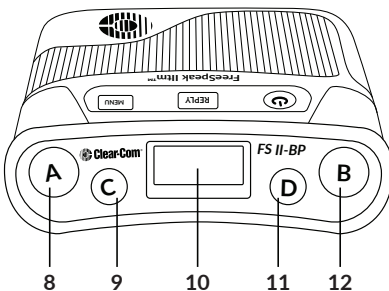
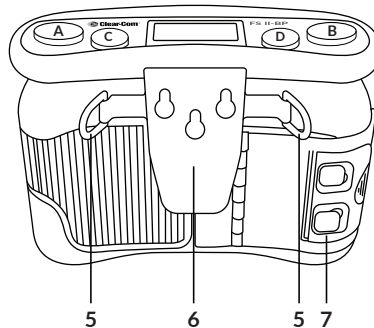
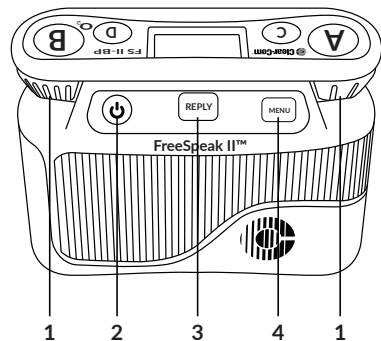
Tapered design at largest points

3.75 x 5 x 1.5 in (HxWxD)

(97 x 130 x 45 mm)

### Weight

9.0 oz (0.4kg) including batteries



## Legend

1. Volume Control
2. Power Button
3. Reply Button
4. Menu Button
5. Shoulder Strap Hook
6. Belt Clip
7. Battery Door
8. Channel A
9. Channel C
10. LCD
11. Channel D
12. Channel B
13. Flashlight
14. Flashlight Switch
15. Headset Connector
16. USB and Audio Jack Connectors

## Order Codes

**FSII-BP19-X4-US:** Beltpack with XLR-4M headset connector, approved for use in USA and Canada

**FSII-BP19-X5-US:** Beltpack with XLR-5F headset connector, approved for use in USA and Canada

**FSII-BP19-X7-US:** Beltpack with XLR-7M headset connector, approved for use in USA and Canada

**FSII-BP19-X4-EU:** Beltpack with XLR-4M headset connector, approved for use in the EU

**FSII-BP19-X5-EU:** Beltpack with XLR-5F headset connector, approved for use in the EU

**FSII-BP19-X7-EU:** Beltpack with XLR-7M headset connector, approved for use in the EU

**FSII-BP19-X4-B:** Beltpack with XLR-4M headset connector, approved for use in Brazil

**FSII-BP19-X5-B:** Beltpack with XLR-5M headset connector, approved for use in Brazil

**FSII-BP19-X4-L:** Beltpack with XLR-4M headset connector, approved for use in Argentina

**FSII-BP19-X5-L:** Beltpack with XLR-5M headset connector, approved for use in Argentina