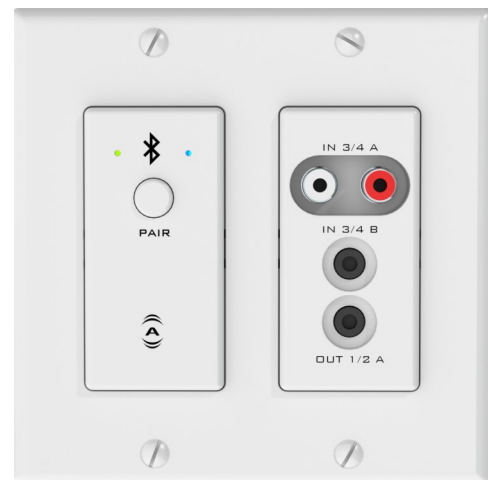


unA6IO-BT

Bluetooth® + AES67 IN-WALL I/O INTERFACE

Preliminary - Available Q3 2017

The unA6IO-BT AES67 audio interface with Bluetooth is a cost effective multi-IO wall box. The unA6IO-BT features stereo Bluetooth® wireless audio input connectivity along with two RCA line level inputs and a 3.5mm TRS line level input. A 3.5mm TRS line level output on the front is also included. The unA6IO-BT is designed to fit into most dual gang US junction boxes and is PoE enabled, so all connectivity (power, control and audio data) is provided by a single CAT-5e/6 cable. The unA6IO-BT's unique mix of consumer style wired and wireless connectivity allows easy connection of a wide variety of user devices to an AES67 network - with no concerns about ground loops or other audio problems common with consumer devices.



FEATURES AND BENEFITS

- Simple pairing one button pairing/connect process for standalone operation with LED indication of connection status
- Defeatable pairing button for restricted use applications with 3rd party control systems
- Customizable Bluetooth® friendly name in applications with co-located unA6IO-BTs
- Compatible with most smartphones, Apple iPads, and Android tablets
- Two RCA and one 3.5mm stereo input
- One 3.5mm stereo output on the front. All outputs feature software controlled volume
- 802.3af compliant PoE powered to work with any compliant PoE network switch
- RCA inputs and 3.5mm input (carried as stereo) can be selected via software, individually or in combination, as an audio flow (see Audio Flow diagram)
- Bluetooth™ audio is carried as stereo onto the AES67 network
- AES67 is compatible with all QSC Core DSPs

APPLICATIONS

Convenient, wall mounted Bluetooth interface for:

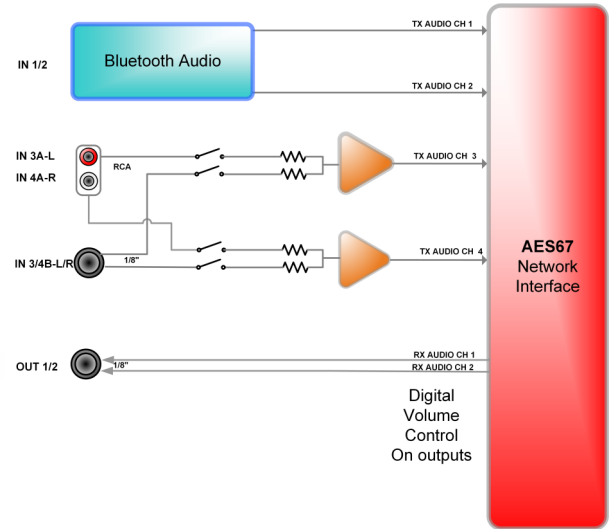
- Hotel ballrooms
- Conference/meeting centers
- Restaurants and bars
- Sports, spa and fitness facilities
- Convention centers

ABOUT ATTERO TECH

Attero Tech is a leading provider of networked audio and connectivity interfaces. These innovative products make it cost effective for audio installations to include high performance connectivity. Attero Tech is headquartered in Fort Wayne, Indiana USA - where all of our products are designed and built. Contact us at:

260.496.9668

www.atterotech.com



unA6IO-BT Front, Rear, and Audio Flow

SPECIFICATIONS

Bluetooth® Profile: A2DP - Stereo audio is streamed from a Bluetooth® device and onto the AES67 network

RCA and 3.5mm Inputs: RF filtered line level, input source software selectable

Maximum Input Levels (3.5mm/RCA): +12dBu

Output Volume Range: 0dB to -60dB in 1dB steps, software selectable

Output Noise: <-90dBu @ 0dB gain

3.5mm Output: RF filtered line level

Maximum Output Level(3.5mm): +12dBu

System THD: <.02% at any gain, input signal 3dB below maximum (wired I/O only)

Certifications: FCC 47CFR Parts 15B and 18 (Class A), EN 55011, ICES-003, CE (EN55022 Class A and EN55024 Class A)

Dimensions: 3.54" W x 4.2" H x 2.0" D

Operating Temperature: 0°C - 40°C

ARCHITECTS & ENGINEERS SPECS

The AES67 Bluetooth® interface unit shall provide stereo Bluetooth® wireless connectivity onto a AES67 network, and a simple, one-button pairing interface. The unit shall provide two RCA line level inputs and one 3.5mm TRS line level input. The unit shall provide a 3.5mm TRS line level output, on the front of the unit. These outputs shall have software controlled volume.

The internal analog to digital signal conversion shall be performed at 24-bit resolution with a sampling frequency of 48 kHz. The AES67 interface unit shall receive power over the Ethernet cable from an 802.3af PoE compliant network switch. The AES67 interface shall be wall mounted in a standard US dual gang junction box.

The AES67 interface shall be compatible with Attero Tech unIFY software for flexible control and monitoring in system applications. The AES67 interface shall be compliant with the RoHS directive. The AES67 interface unit shall be compliant with FCC 47CFR Parts 15B and 18 (Class A), EN 55011, ICES-003, CE (EN55022 Class A and EN55024 Class A).

The AES67 interface shall be the Attero Tech unA6IO-BT.