



ATUC-50DU Discussion Unit

Features

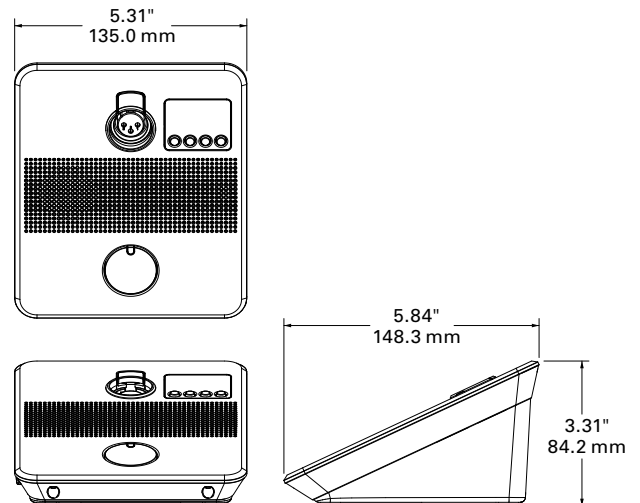
- Individually programmable multi-profile versatile unit: Delegate or Chairman.
- Unit connector compatible with standard 3-pin XLR microphones.
- Low noise microphone preamp using discrete transistors, with individual (per discussion unit) adjustable gain control.
- High-quality speaker for enhanced speech intelligibility.
- 24-bit/48 kHz audio quality.
- Multiple independent indicator (multi-colored RGB LED bar on rear of discussion unit and LED on the talk button).
- Clear LED display for volume control and listening channel selection.
- 2 x RJ45 Port for connecting to the control unit and other discussion units and 1x expansion terminal for future options.
- 1 x headphone output.

Description

The **ATUC-50DU** discussion unit is equipped with a 3-pin XLR-type input for use with compatible gooseneck microphones, including the **ATUC-M43H** or **ATUC-M58H** microphones specifically designed for the system.

The discussion unit also features a display for monitoring volume and channel selection, buttons for selecting channel, a built-in speaker, a headphone jack with volume control, two independently programmable LED indicators, and a talk button to turn the connected microphone on/off or send a request to talk to the moderator. On units designated by the control unit as priority discussion units, the talk button can be used to mute and override a non-priority discussion unit. Up to 50 discussion units may be connected to a control unit, using Cat5e (or better) cable employed in either daisy chain or ring topology.

Ring topology offers an additional layer of stability to the system since the system actually regards the start and end of the ring (terminated at the discussion unit chain A/B inputs on the control unit) as the start of two daisy chains.



Specifications

Dynamic range	107 dB A-weighted
Frequency response	+ 1.0, - 2.0dB, 20Hz~20kHz, refer to +4dBu output @ 1kHz
Audio sampling	24 bit/48 kHz
Signal-to-noise	87 dB, A-weighted
I/O connectors	Inputs: MIC (Neutrik XLR-F) Outputs: Headphones x 1 LINK/CHAIN: DU RJ45 A/B terminals
Headroom	20 dB
Equivalent input noise	Less than -121dBu, Rs=150 ohm
Total harmonic distortion	Less than 0.07% @1kHz unity
Phantom power	DC +24V
Power supply	DC +48V
Power consumption	2.2 W
Operation temperature	0~40° C
Operation humidity	25-85%
Dimensions (W x D x H)	135mm x 148.3mm x 84.2mm
Net weight	570g
Finish	Top panel: Gun metal - Enclosure: Black
Included accessories	Quick setup guide, warranty sheet

Specifications are subject to change without notice.